



I-87066W

8-ch DC-type SSR Relay Module

Features

- 8-channel DC SSR Output
- Form A DC Solid State Relay Output
- Fast Operating/Release Time
- No Arcing, Bouncing, or Switching Noise
- 3000 VDC Intra-module Isolation
- ± 4 kV ESD Protection



Introduction

The I-87066W module provides 8 DC Solid State Relay (SSR) Output channels. In comparison to electromechanical relays, SSR technology provides a faster response time and greater electrical endurance. The integration of DC SSR technology also eliminates the potential for arcing, bouncing, and switching noise. The I-87066W includes 8 LED indicators that can be used to monitor the status of the SSR output, and options are available for configuring power-on and safe values. 4 kV ESD protection and 3000 VDC intra-module isolation are also provided to enhance noise protection capabilities of the module in harsh industrial environments.

System Specifications

COM Port	
Ports	RS-485
Data Format	N, 8, 1
Baud Rate	1200 ~ 115200 bps
Protocol	DCON
CPU Module	
Dual Watchdog Timer	Module (1.6 Seconds), Communication (Programmable)
LED Indicators	
System LED Indicator	1
I/O LED Indicator	8
Isolation	
Intra-module Isolation, Field-to-Logic	3000 VDC
EMS Protection	
ESD (IEC 61000-4-2)	± 4 kV Contact for Each Terminal ± 8 kV Air for Random Point
Power	
Consumption	0.6 W Max.
Mechanical	
Dimensions (W x L x H)	30 mm x 115 mm x 102 mm
Environment	
Operating Temperature	-25 ~ +75 °C
Storage Temperature	-40 ~ +85 °C
Humidity	10 ~ 90 % RH, Non-condensing

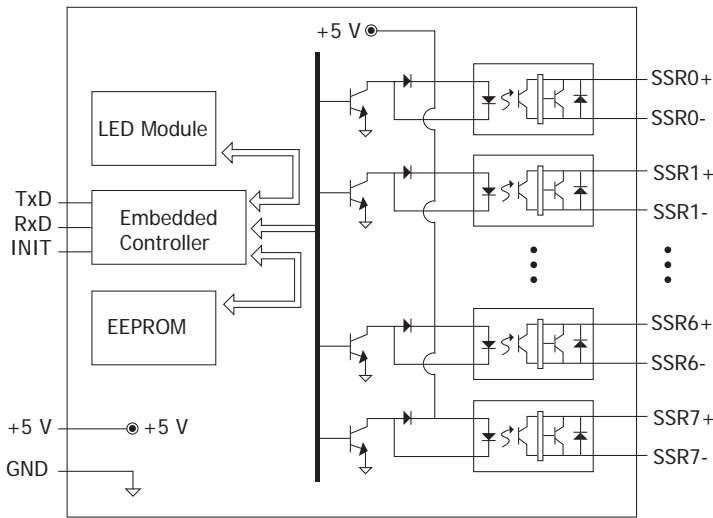
I/O Specifications

AC Solid State Relay Output	
Channels	8
Type	AC SSR (Form A)
Operating Voltage Range	+3 ~ +30 VDC
Max. Load Current	1 A
Leakage Current	0.1 mA
Operate Time	1 ms (Min.)
Release Time	1 ms (Min.)
Electrical Endurance	Long Life, No Arcing, No Bounce, No Switching Noise
Surge Strength	3500 VDC
Power on Value	Yes
Safe Value	Yes

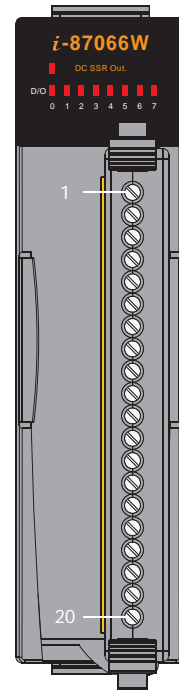
Applications

- Building Automation
- Factory Automation
- Machine Automation
- Remote Maintenance
- Remote Diagnosis
- Testing Equipment

Internal I/O Structure



Pin Assignments

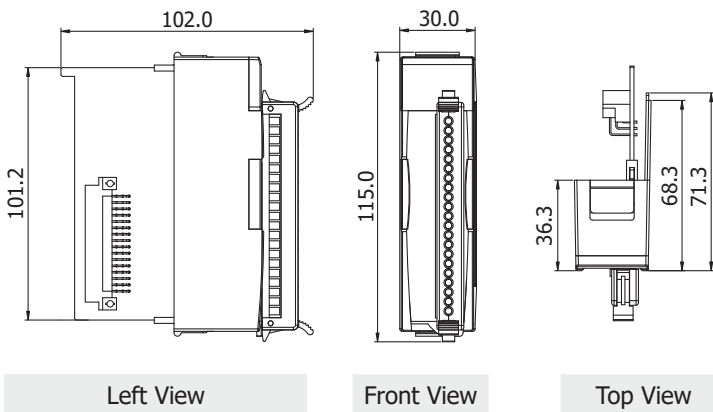


Terminal No.	Pin Assignment
01	SSR0+
02	SSR0-
03	SSR1+
04	SSR1-
05	-
06	SSR2+
07	SSR2-
08	SSR3+
09	SSR3-
10	-
11	SSR4+
12	SSR4-
13	SSR5+
14	SSR5-
15	-
16	SSR6+
17	SSR6-
18	SSR7+
19	SSR7-
20	-

Wire Connections

Output type	ON State Readback as 1	OFF State Readback as 0
DC SSR Output		

Dimensions (Unit: mm)



Ordering Information

I-87066W-G CR

8-channel DC SSR Output Module using the DCON Protocol (RoHS)